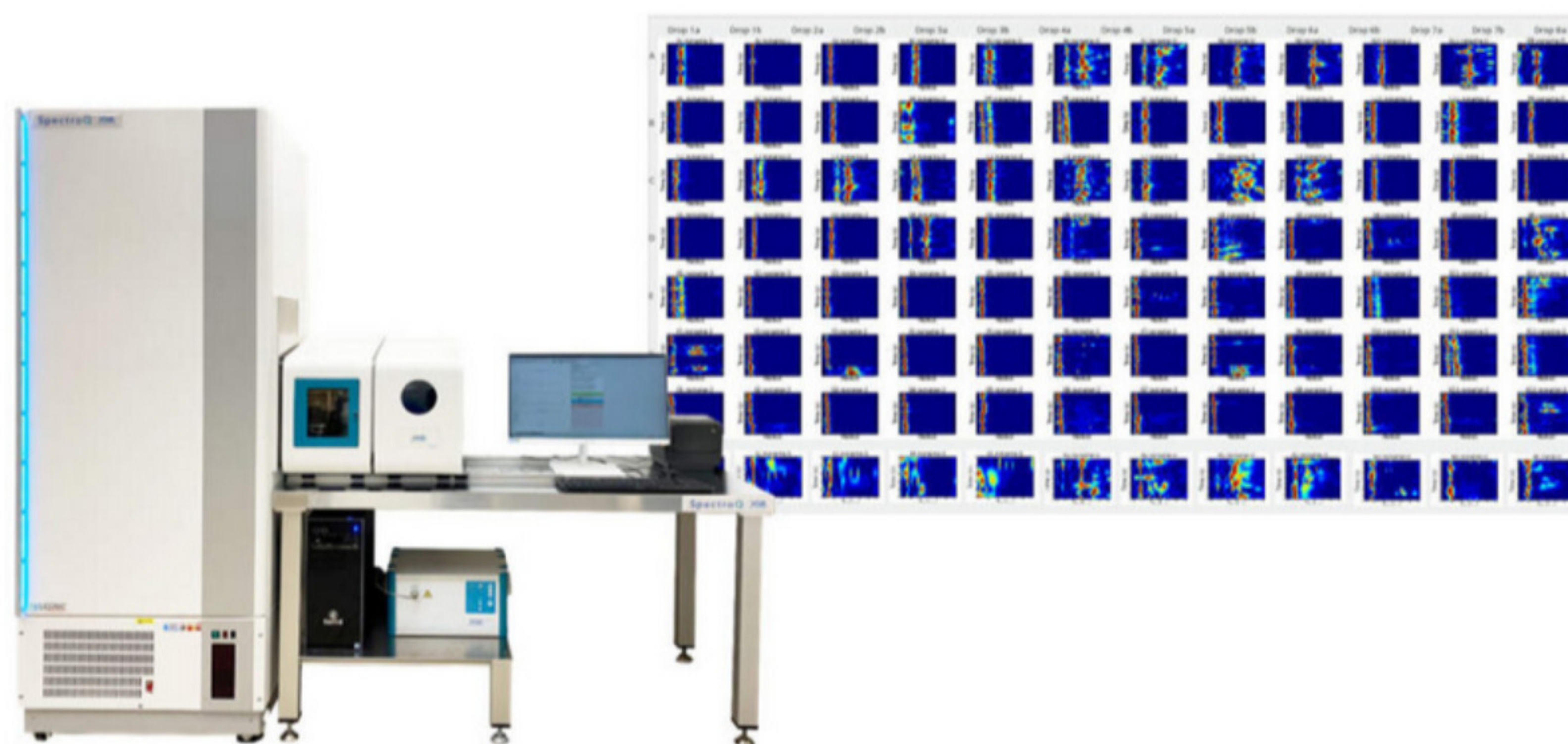


SpectroQ a unique Imaging and DLS Plate Hotel System

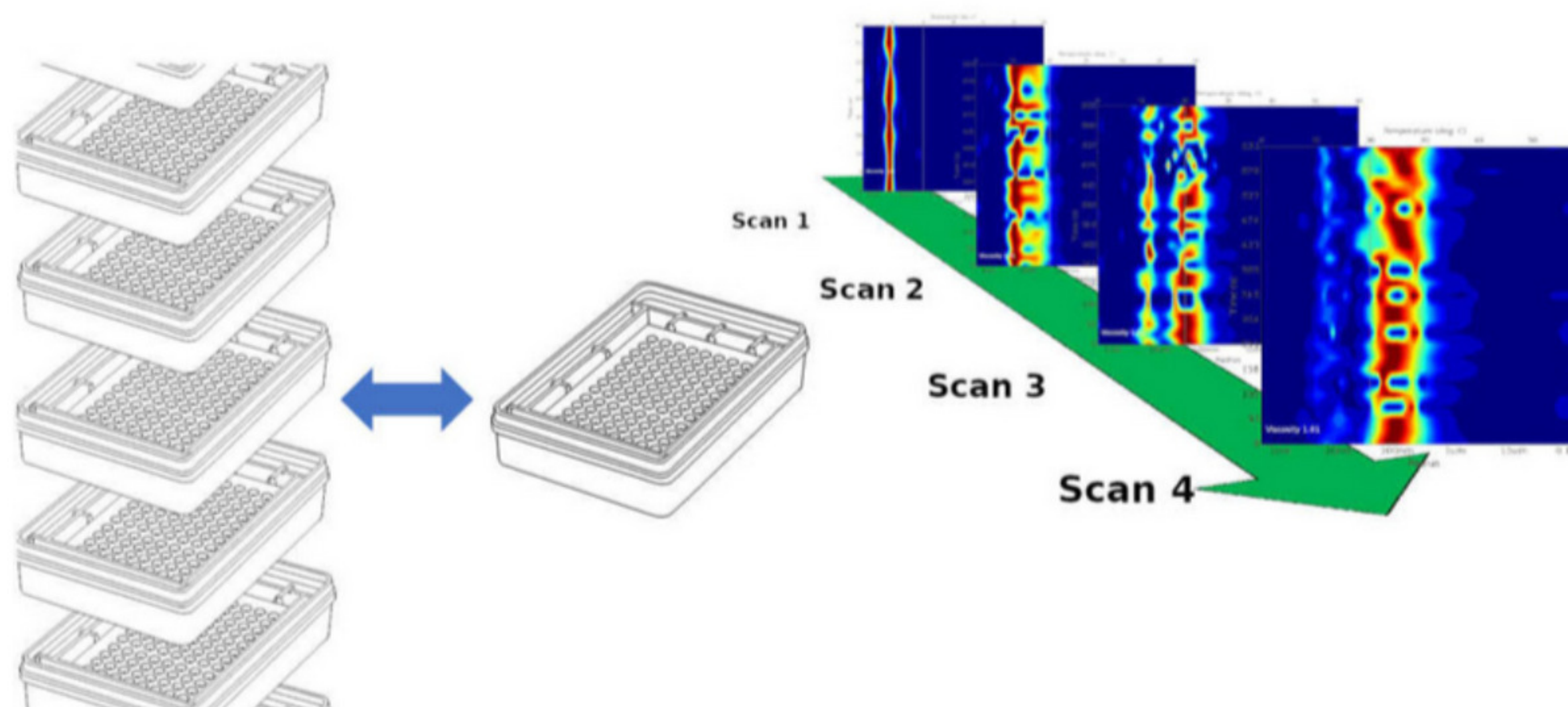
SpectroQ

A unique Plate Hotel based DLS-System



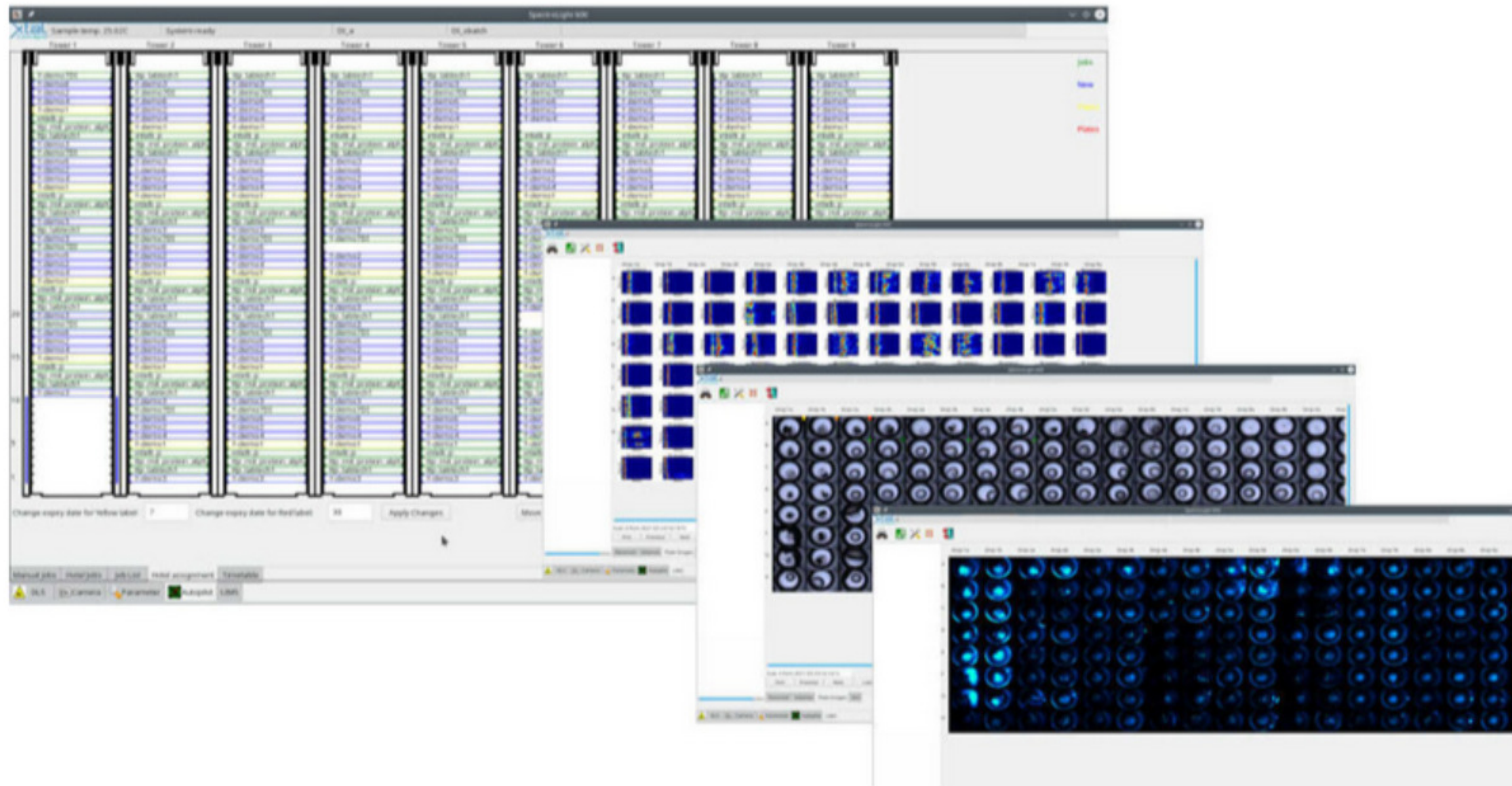
The combination of a plate hotel imaging system with DLS as a size distribution detection method significantly extends the application range of a hotel system. A fully automated approach is the optimal solution when screening samples against many buffer conditions. Scanning plates with DLS at regular intervals often reveals the most appropriate formulation. Additional built-in multi-user capabilities allow the system to be shared most efficiently. This significantly increases the success rate of sample formulation and characterisation. For more information about [SpectroQ](#), please visit our website.

Automated Plate Exchange and Scanning

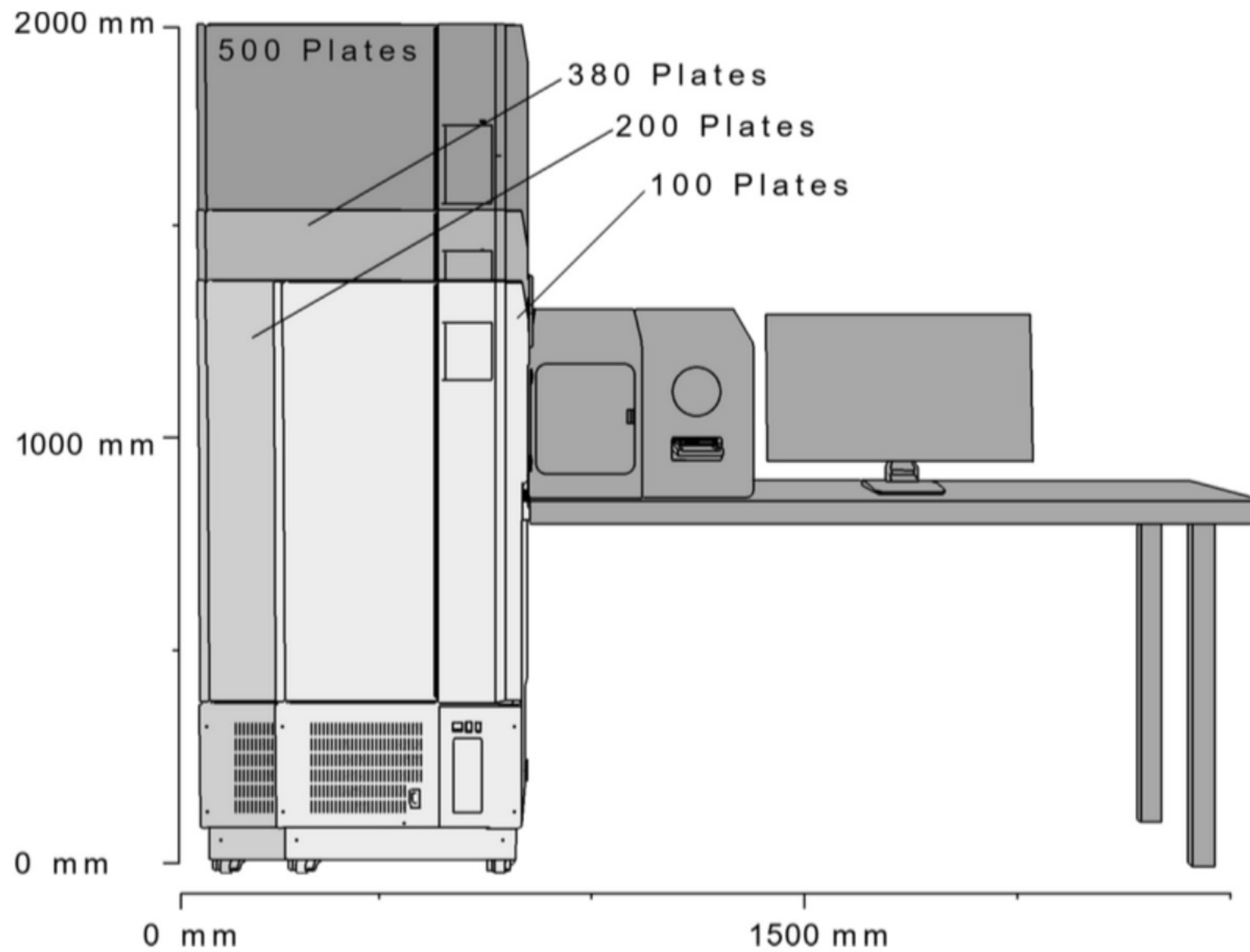


A common observation is that a sample will change its aggregation state at some point, even though there was no sign of instability in a previous measurement. By taking measurements at regular intervals it is possible to define how long a sample will remain stable in a given buffer condition.

Internal SQL Data Base Data Management



[SpectroQ](#) is also a full plate hotel imaging system with intrinsic fluorescence imaging capabilities. The highest quality optics provide pin sharp images of crystals and microcrystals.



The Plate Hotel is available in a range of sizes and plate capacities. This allows the optimum hotel capacity to be selected to suit the user's specific requirements and budget.

Your XtalConcepts Team